

brand	MC CULLOCH - PARTNER
-------	----------------------

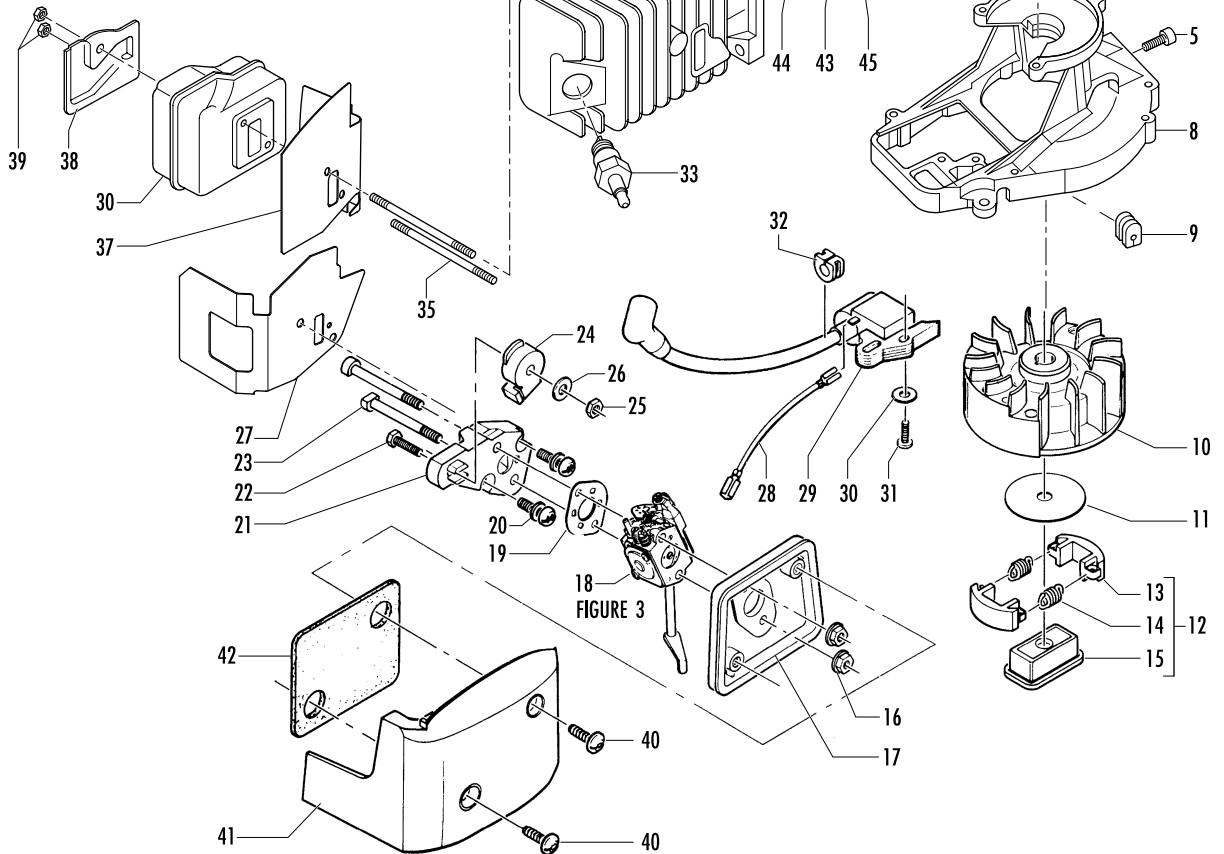
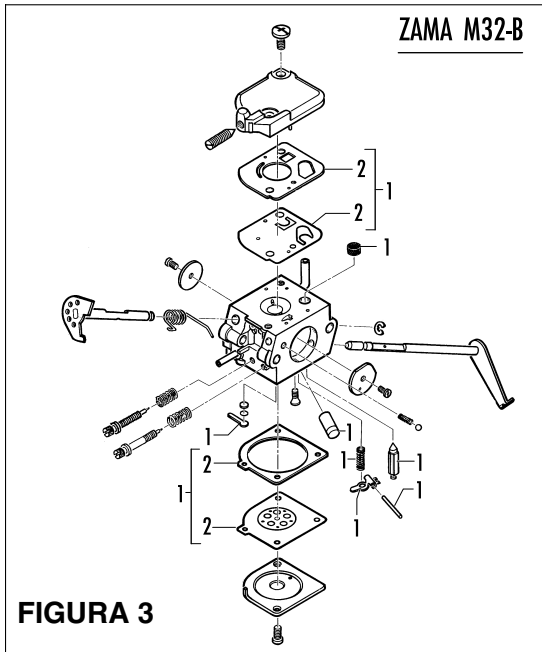
date	JUNE/02	SHEET 1/4
------	---------	-----------

Model

VIRGINIA MH 542 - MH 555
PARTNER HG 17- HG 22
BRICOMARCHE BMTH 2555

Product number

24802300B - 24802400B
953900213 - 953900180
953900262



brand	MC CULLOCH - PARTNER
-------	-----------------------------

date	JUNE/02	SHEET 2/4
------	---------	-----------

VIRGINIA MH 542 - MH 555
PARTNER HG 17- HG 22
BRICOMARCHE BMTH 2555

FIGURA 1

pos	P/N McC	P/N ELX	Qty	note
1	241624	538241624	1	
2	241784	538241784	1	
C 3	242030	538242030	2	
C 4	227631	538227631	1	
5	227565	538227565	4	
6	242003	538242003	1	
C 7	235742	538235742	1	
8	242029	538242029	1	
9	241607	538241607	1	
10	241796	538241796	1	
11	241604	538241604	1	
B 12	241793	538241793	1	
13	● 241743	538241743	2	
A 14	● 241794	538241794	2	
15	● 241789	538241789	1	
16	111058	538111058	2	
17	241647	538241647	1	
18	FIGURA 3			
19	241600	538241600		
20	235806	538235806	2	M5x20
C 21	241590	538241590	1	
22	240131	538240131	1	M5x20
23	111057	538111057	2	
24	241644	538241644	1	
25	235642	538235642	1	
26	235163	538235163	1	
27	242516	538242516	1	
28	241630	538241630	1	
C 29	241749	538241749	1	
30	242131	538242131	2	
31	235806	538235806	2	
32	236322	538236322	1	
A 33	92879	538092879	1	
C 34	241800	538241800	1	
35	241804	538241804	2	
C 36	242131	538242131	1	
C 37	242517	538242517	1	

pos	P/N McC	P/N ELX	Qty	note
38	322231	538322231	1	
39	235642	538235642	2	
40	218644	538218644	2	
41	241651	538241651	1	yellow/giallo/jaune/gelb
41	241860	538241860	1	Gold/oro/or/gold
C 42	241652	538241652	1	
C 43	248177	538248177	1	
B 44	● 240002	538240002	1	
45	● 235008	538235008	2	
46	● 241735	538241735	1	

FIGURA 3

C -	241646	538241646	carbur.
B 1	● 300465	538300465	1
A 2	●● 300473	538300473	1

A= ALTA ROTAZIONE
B=MEDIA ROTAZIONE
C=BASSA ROTAZIONE

A=HIGH MOVING
B=MEDIUM MOVING
C=SLOW MOVING

A=HAUTE DEMANDE
B=MOYENNE DEMANDE
C=BASSE DEMANDE

A=GROBE NACHFRAGE
B=MITTELMAEBIGE
C=WENIGE NACHFRAGE

brand	MC CULLOCH - PARTNER
-------	----------------------

date	JUNE/02	SHEET 3/4
------	---------	-----------

Model

VIRGINIA MH 542 - MH 555
PARTNER HG 17- HG 22
BRICOMARCHE BMTM 2555

Product number

24802300B - 24802400B
953900213 - 953900180
953900262

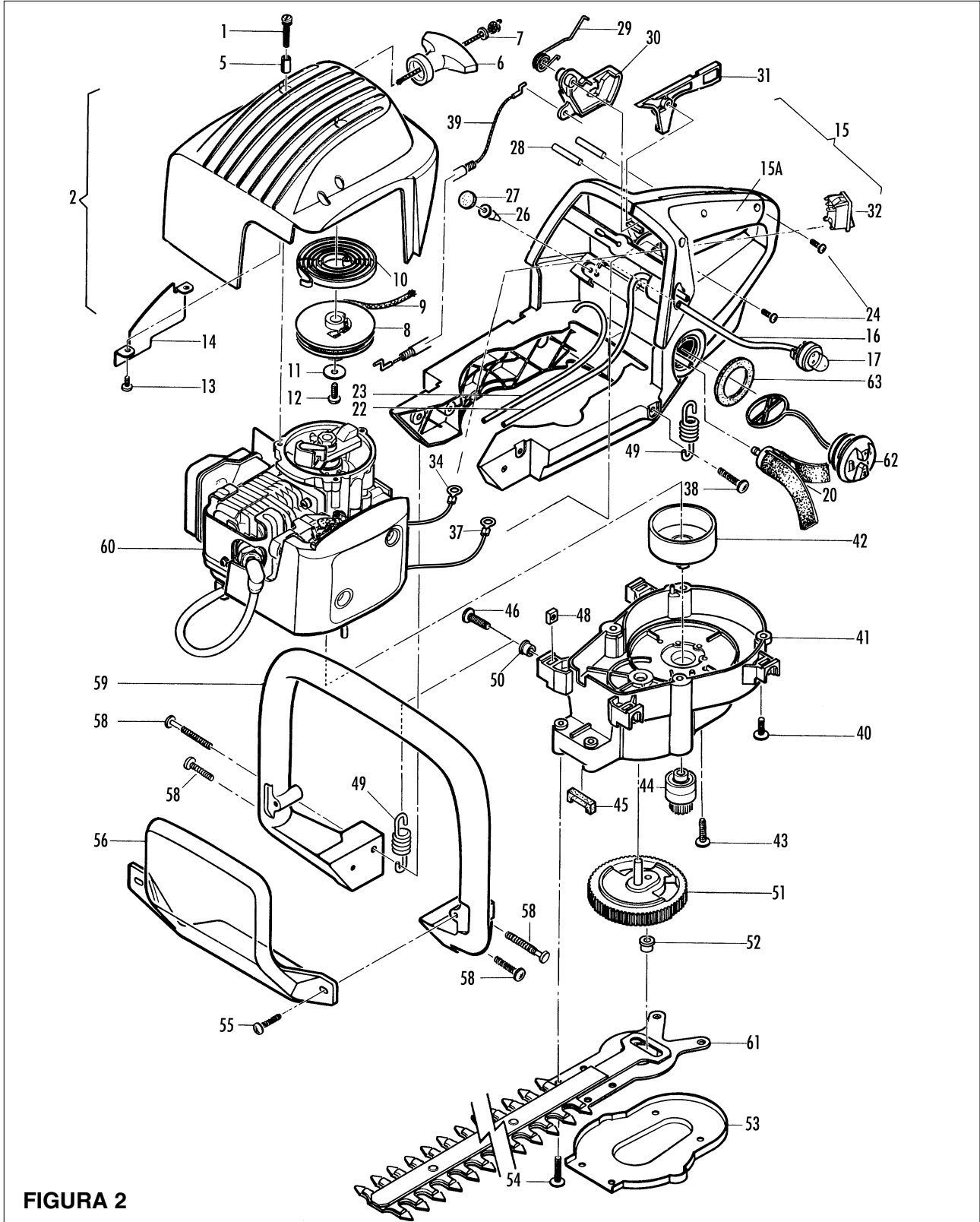


FIGURA 2

brand	MC CULLOCH - PARTNER
-------	-----------------------------

date	JUNE/02	SHEET 4/4
------	---------	-----------

VIRGINIA MH 542 - MH 555
PARTNER HG 17- HG 22
BRICOMARCHE BMTH 2555

FIGURA 2

pos	P/N McC	P/N ELX	Qty	note	pos	P/N McC	P/N ELX	Qty	note
1	241963	538241963	3	M4x22	45	● 241633	538241633	1	
2	241648	538241648	1	yellow/giallo/jaune/gelb	46	● 217636	538217636	4	
	241858	538241858	1	gold/oro/or/gold	48	● 218005	538218005	4	
5	● 241617	538241617	3		C 49	● 241634	538241634	4	
6	● 241778	538241778	1		50	● 241765	538241765	4	
7	● 235612	538235612	1		C 51	241653	538241653	1	
B 8	● 241620	538241620	1		B 52	241754	538241754	1	
A 9	● 241746	538241746	1		53	241761	538241761	1	
B 10	● 241619	538241619	1		54	111117	538111117	6	
11	● 241703	538241703	1		55	111117	538111117	2	
12	● 300294	538300294	1		56	241654	538241654	1	
13	● 111069	538111069	2		58	219883	538219883	4	
14	● 241758	538241758	1		59	241868	538241868	1	
C 15	241866	538241866	1		60	FIGURA 1			
15A	● 241846	538241846	1		C 61	241655	538241655	1	MH542P/HG17
B 16	● 241777	538241777	1		C	241656	538241656	1	MH557/HG22
C 17	● 224242-01	538022424	1		B 62	241234	538241234	1	
A 20	● 240452	538240452	1		C 63	● 235510	538235510	1	
B 22	● 241776	538241776	1						
B 23	● 241775	538241775	1						
24	● 240862	538240862	3						
C 26	● 322199	538322199	1						
C 27	● 241717	538241717	1						
28	● 241762	538241762	2						
29	● 241637	538241637	1						
C 30	● 241635	538241635	1						
C 31	● 241636	538241636	1						
C 32	● 228277	538228277	1						
34	● 241867	538241867	1						
37	241630	538241630	1						
38	111117	538111117	2						
C 39	241642	538241642	1						
40	111119	538111119	4						
41	241631	538241631	1						
C 42	● 241771	538241771	1						
43	● 218644	538218644	2						
44	● 225007-01	538225007	1						

A= ALTA ROTAZIONE
B=MEDIA ROTAZIONE
C=BASSA ROTAZIONE

A=HIGH MOVING
B=MEDIUM MOVING
C=SLOW MOVING

A=HAUTE DEMANDE
B=MOYENNE DEMANDE
C=BASSE DEMANDE

A=GROBE NACHFRAGE
B=MITTELMAEßIGE
C=WENIGE NACHFRAGE